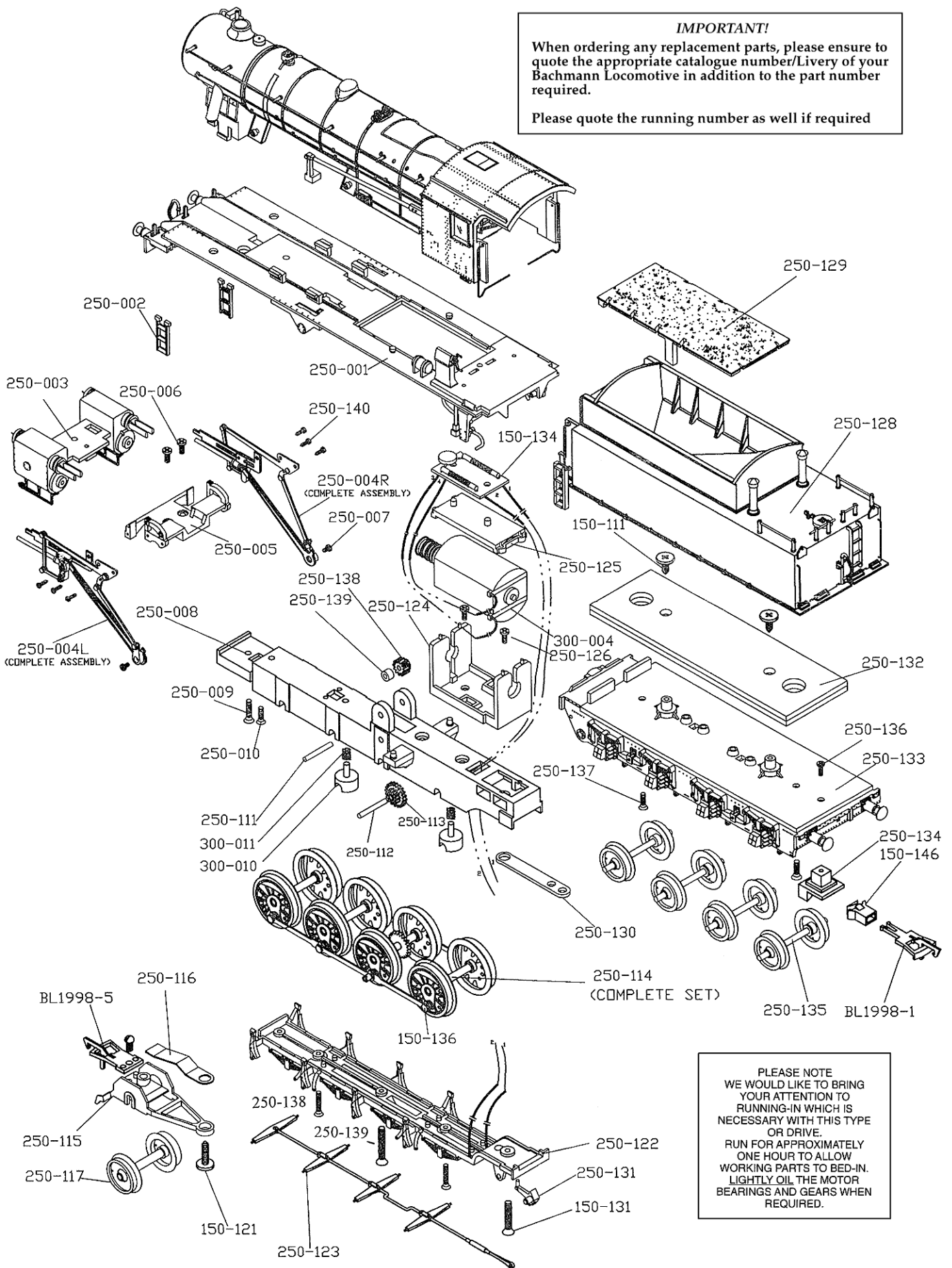


W D 2-8-0 LOCOMOTIVE

IMPORTANT!

When ordering any replacement parts, please ensure to quote the appropriate catalogue number/Livery of your Bachmann Locomotive in addition to the part number required.

Please quote the running number as well if required



PLEASE NOTE
WE WOULD LIKE TO BRING
YOUR ATTENTION TO
RUNNING-IN WHICH IS
NECESSARY WITH THIS TYPE
OR DRIVE.
RUN FOR APPROXIMATELY
ONE HOUR TO ALLOW
WORKING PARTS TO BED-IN.
LIGHTLY OIL THE MOTOR
BEARINGS AND GEARS WHEN
REQUIRED.