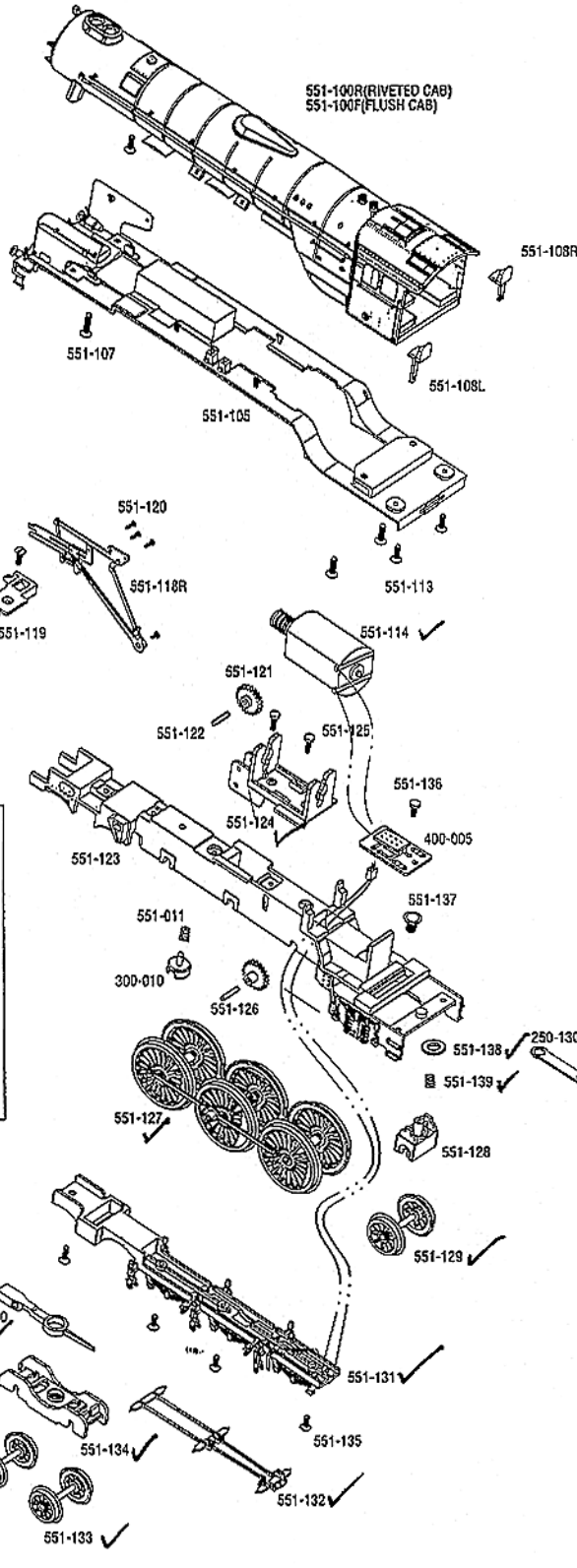




CLASS A1 LOCOMOTIVE

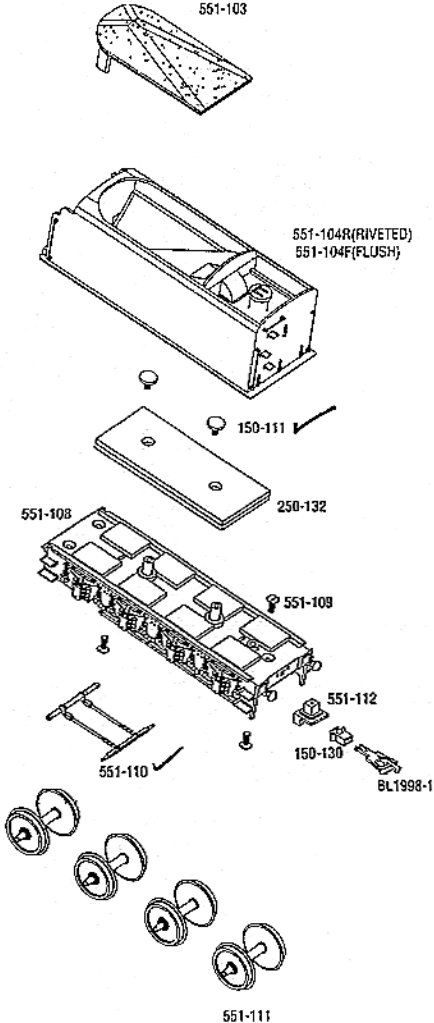


551-100R(RIVETED CAB)
551-100F(FLUSH CAB)

IMPORTANT!
WHEN ORDERING ANY REPLACEMENT PARTS PLEASE ENSURE TO QUOTE THE APPROPRIATE CATALOGUE NUMBER/LIVERY OF YOUR BACHMANN LOCOMOTIVE. IN ADDITION TO THE NUMBER OF THE PART REQUIRED.

PLEASE NOTE
WE WOULD LIKE TO BRING YOUR ATTENTION TO RUNNING-IN WHICH IS NECESSARY WITH THIS TYPE OF DRIVE.
RUN FOR APPROXIMATELY ONE HOUR TO ALLOW WORKING PARTS TO BED-IN. LIGHTLY OIL THE MOTOR BEARINGS AND GEARS WHEN REQUIRED.

ASSEMBLY



551-111