

Thank you for your choice of the Bachmann Branchline Class 25 Bo-Bo diesel locomotive.

General

The mechanism of this model requires running in (without a load) for approximately 1 hour in each direction at moderate speed to allow the gear train to bed in.

When required, sparingly lubricate the motor bearings using plastic compatible light oil and the gear train with model grease.

Bachmann Branchline locomotives are not suitable for use on track tighter than second radius (18 inches).

Body removal

There are four screws, one by each corner of the fuel /water tank

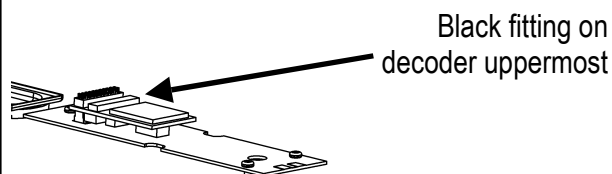
DCC Decoder fitting to DC model

This model has a 21-pin mtc connector for a decoder.

Use either a decoder with matching fitting (for example Bachmann 36-554) or the Bachmann 36-559 8/21-pin adaptor to use a decoder with an 8-pin plug.

It is recommended to run in a model supplied without a decoder first on a DC power supply before installing a decoder.

Carefully remove the blanking board and locate the decoder onto the pins on the PCB following the instructions included with the decoder: the decoder fits so that the contact block is uppermost with the decoder fitting towards the middle of the main loco PCB.



DCC Sound decoder fitting to DC model

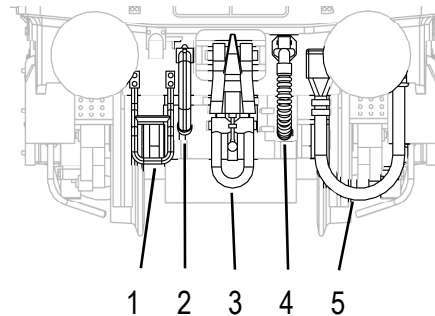
There are loudspeaker connections on the main PCB, marked 'SP+' and 'SP-' that can be used when a sound decoder with a 21-pin connector is used. Follow any fitting instructions supplied with the decoder.

Control of lights with DCC

When using a decoder with the appropriate number of function outputs, the onboard lights can be controlled as follows:

F0 - Head lights / tail lights turned on / off

Buffer beam parts



- 1 Step
- 2 Steam heat pipe
- 3 Coupling
- 4 Vacuum brake pipe
- 5 MU Connector

Hints for best results

The operation of a DCC loco requires that the power to the model is not interrupted. Track, wheels and pickups should be kept clean and all rail joiners must give good connections between sections of track. Improved reliability of DCC performance may be obtained by deselecting DC operation of the model on the decoder. This is usually controlled by CV29, Bit 2

Replacement Parts

- 1 400-006 motor
- 2 400-045 PCB 21pin
- 3 400-003 driveshaft
- 4 400-015 underframe
- 5 400-024 bogie tower top
- 6 400-021 driving wheels
- 7 400-017 bogie
- 8 400-029 drive cup
- 9 400-022 bogie frame
- 10 400-025 gear set
- 11 BL1999 coupling
- 12 BL2006 NEM pocket
- 13 400-040 LED board
- 14 500-110 motor bracket
- 15 400-013 buffer beam pack

When ordering parts please quote the catalogue number together with the livery of the model (if appropriate) and number of the part required.

Parts are subject to availability.

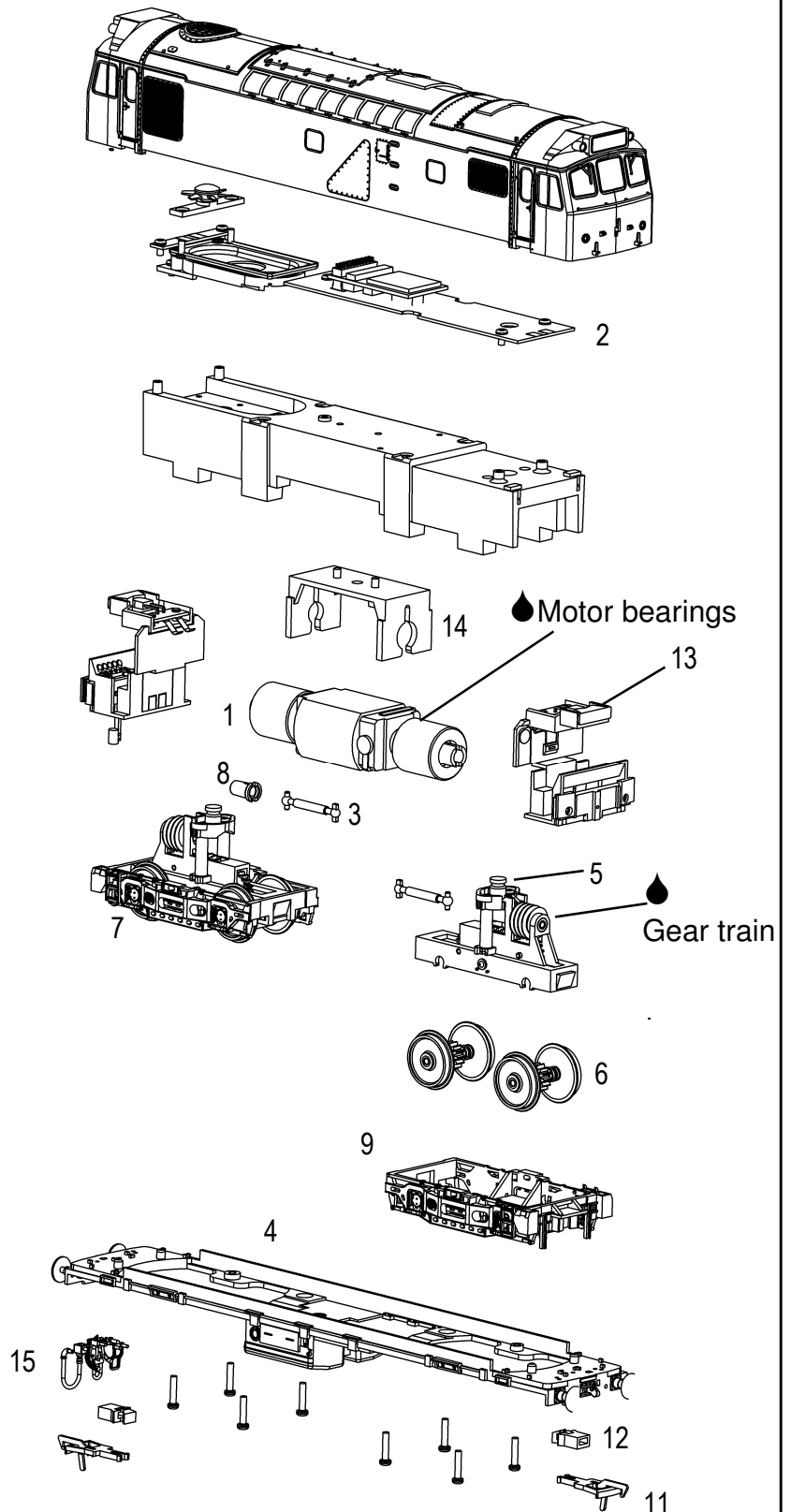
Packets of couplers (item 36-030) suitable for this model are available from retailers

Bachmann Europe Plc

Moat Way
Barwell
Leicestershire
LE9 8EY
01455 841756
www.bachmann.co.uk

The model should be handled carefully as it has many finely detailed parts. It is not suitable for persons under 14 years.

E3240-IS003



A DCC Sound fitted loco is shown. When fitting a sound decoder to a DC model, fit the speaker box in the cavity shown.